

1 SPECIAL CONDITIONS OF USE

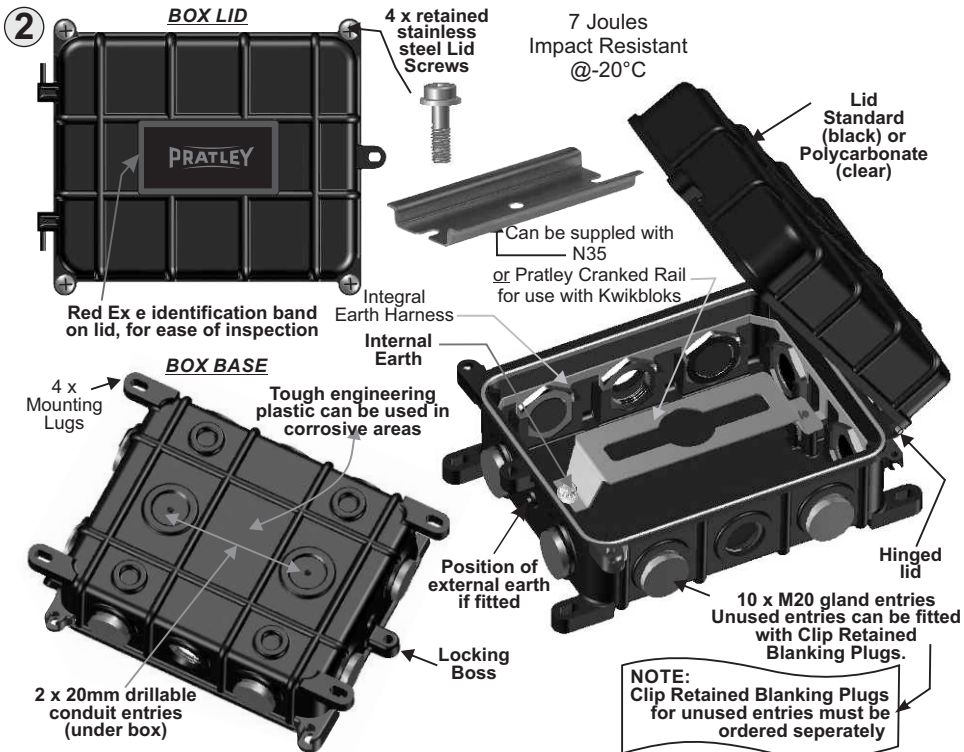
- Junction Box rated for Ambient Temperature Range of -20°C → 40°C
- Installation shall only be carried out by suitably trained personnel in accordance with the code of practice per SANS/IEC 60079-14.
- For Ex e/n applications, use only suitably rated cable glands, plugs and/or adaptors.
- Static hazard, wipe with a damp cloth when cleaning.
- Maximum Dissipated Power not to exceed 7.5W.

CERTIFICATION & MARKING

Ex e IIC, T6 Gb
Ex nA IIC, T6 Gc
Ex ts IIC, T85°C Db
IP 66/68 (2m cont.)
I.A. no. S-XPL16.0786X



• SUITABLE FOR USE IN ZONE 1, 2 21, & 22.



3 FITTING OF GLANDS

Fit per gland fitting instruction leaflet.

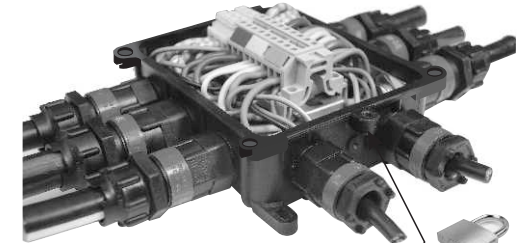
Can be fitted with Pratley Ex e Enviro Glands, Ex e Brass or Ex e Brass Compression Glands.

4 CONNECTING METHODS

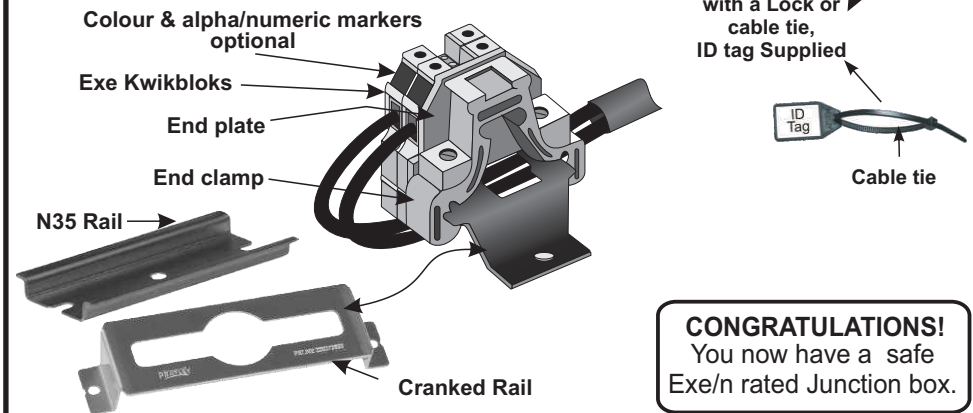
Box Size No. 1	NUMBER OF KWIKBLOKS PER RECTANGULAR BOX							
	IK 3 750/800V 27 A		IK 5 750/800V 36 A		IK 10 750/800V 67 A		IK 16 750/800V 87 A	
	Ex e IK 3 550V 15 A	Ex e IK 5 550V 21 A	Ex e IK 10 550V 37 A	Ex e IK 16 550V 47 A	Max	Prac	Max	Prac
N35 Rail	22	21	18	17	12	11	10	9
Cranked Rail	20	19	16	15	10	9	8	7

Prac.: = Practical number of Kwikbloks to be fitted

Using rail mounted Ex e Kwikbloks



Can be fitted with a Lock or cable tie, ID tag Supplied



CONGRATULATIONS!
You now have a safe Exe/n rated Junction box.

5 CLOSE THE LID AND TIGHTEN SCREWS

Lid screws tightening torque not to exceed 5 Nm.

6 MAINTENANCE / REPAIR

- This product contains no parts which may be repaired.
- Only the lid gasket, lid fasteners and internal terminals/end connectors may be replaced.
- Suitable replacement parts, as stated above, must be purchased from Pratley (see accessories).
- Inspection of termination & condition of lid sealing gasket must only be carried-out by suitably trained personnel in accordance with SANS 60079-17 or IEC 60079-17.
- Any incorrectly fitted, damaged or modified parts will invalidate the type of protection.

7 ACCESSORIES

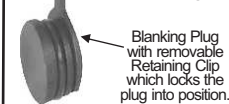
BOX LID Standard (Black) or Polycarbonate (clear) with Gasket



STAINLESS STEEL MOUNTING SCREWS



UNIQUE CLIP RETAINED BLANKING PLUG



REPLACEMENT LID SCREWS



RAILS FOR KWIKBLOKS N35 Rail

