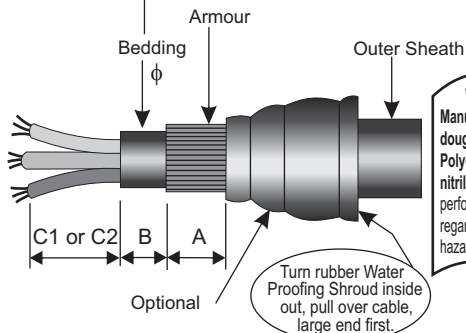


### 1 CABLE PREPARATION

This Pratley Ex e/n Ezee-Fit Cable Box is supplied for use with armoured cable. (Unarmoured cable is also easily accommodated by using Compression Conversion Kits).



**WARNING:** Manufactured from Polyester dough moulding compound and/or Polycarbonate (clear lid) with a nitrile seal. Consider the performance of these materials with regard to substances present in the hazardous area.

| SELECTION CHART      |  | Box/Gland Size |      |      |      |      |
|----------------------|--|----------------|------|------|------|------|
| Dimens. mm           |  | 0              | 1    | 2    | 3    | 4    |
| A                    |  | 29,0           | 35,0 | 41,0 | 48,0 | 54,0 |
| B                    |  | 13,0           | 15,0 | 16,0 | 20,0 | 20,0 |
| *C1                  |  | 120            | 140  | 180  | 240  | 280  |
| *C2                  |  | 260            | 290  | 370  | 540  | 690  |
| Min                  |  | 8,5            | 12,6 | 15,7 | 20,4 | 26,3 |
| Max                  |  | 12,6           | 15,7 | 20,4 | 26,3 | 34,7 |
| Max Dissipated Power |  | 1,38           | 2,15 | 3,67 | 4,0  | 5,5  |
| Armour ø             |  | 0,9            | 0,9  | 1,25 | 1,6  | 1,6  |

\*C1 When using Non-Sparking End Connectors  
\*C2 When using Kwikkbloks

### CERTIFICATION



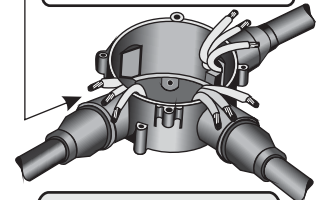
### 3 SUGGESTED CONNECTING METHODS (See Method 1 and Method 2 below)

#### NUMBER OF KWIKBLOKS PER EZEE-FIT BOX

| Dissipated Power | IK 3<br>750/800V<br>27 A  |                           | IK 5<br>750/800V<br>36 A   |                            | IK 10<br>750/800V<br>67 A  |                            | IK 16<br>750/800V<br>87 A   |    | IK 25<br>750/800V<br>115 A |   | IK 50<br>750/800V<br>178 A |    | IK 70<br>750/800V<br>220 A |    |   |
|------------------|---------------------------|---------------------------|----------------------------|----------------------------|----------------------------|----------------------------|-----------------------------|----|----------------------------|---|----------------------------|----|----------------------------|----|---|
|                  | Ex e IK 3<br>550V<br>15 A | Ex e IK 5<br>550V<br>21 A | Ex e IK 10<br>550V<br>37 A | Ex e IK 16<br>550V<br>47 A | Ex e IK 25<br>550V<br>63 A | Ex e IK 51<br>550V<br>98 A | Ex e IK 70<br>550V<br>121 A |    |                            |   |                            |    |                            |    |   |
| 0                | 2.4W                      | 10                        | 8                          | 8                          | 8                          | —                          | —                           | —  | —                          | — | —                          | —  | —                          | —  | — |
| 1                | 3.1W                      | 11                        | 9                          | 10                         | 8                          | —                          | —                           | —  | —                          | — | —                          | —  | —                          | —  | — |
| 2                | 5.4W                      | 17                        | 14                         | 14                         | 12                         | 11                         | 8                           | 8  | 6                          | * | *                          | —  | —                          | —  | — |
| 3                | 9.6W                      | 24                        | 24                         | 20                         | 18                         | 16                         | 14                          | 12 | 10                         | 8 | 6                          | *6 | —                          | *6 | — |
| 4                | 13.4W                     | 25                        | 25                         | 22                         | 22                         | 16                         | 16                          | 13 | 12                         | 9 | 8                          | *6 | *                          | *6 | * |

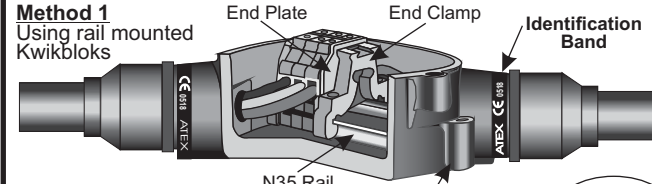
Max:= Number of Kwikkbloks that can be fitted.  
Prac:= Practical number of Kwikkbloks to be fitted  
\* := Configurations where Pratley End Connectors are the preferred method of termination due to difficult bending and connecting heavier conductors.

Fit glands by pushing in cable well and tighten Compression Nut. Fit shrouds by rolling them the right way around. Bend 'tails' back out of the way.



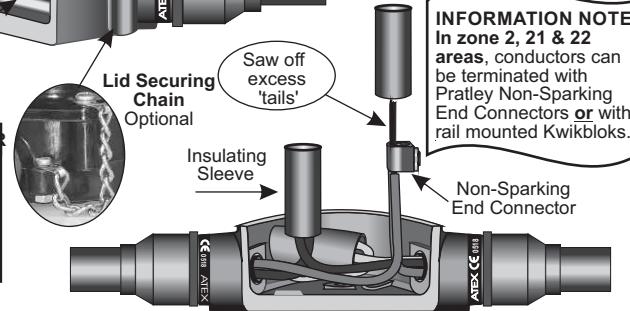
**SAFETY NOTE!** In zone 1 locations use only Ex e approved Pratley Kwikkbloks and rails. (Refer to Pratley website for comprehensive list of approved terminals for use with these boxes).

#### Method 1 Using rail mounted Kwikkbloks



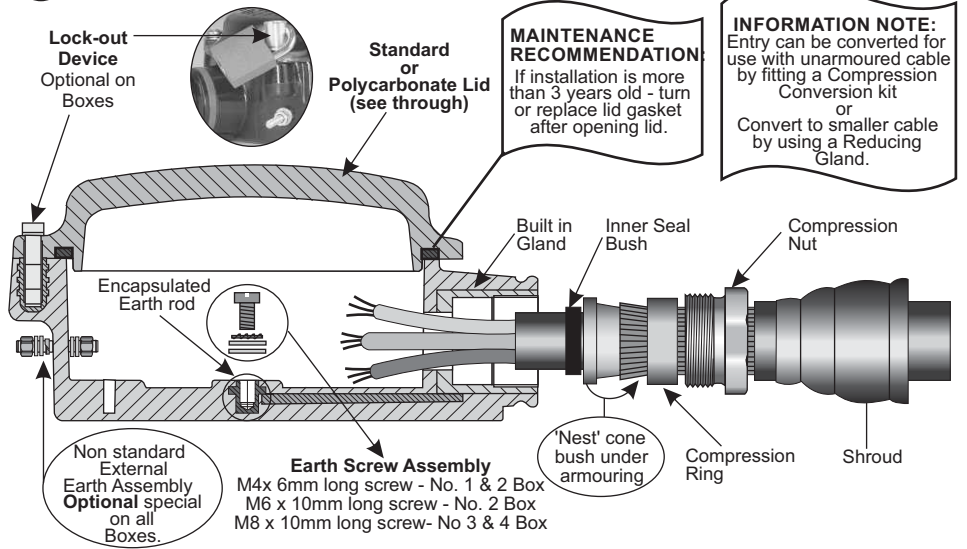
#### Method 2 Using Non-Sparking End Connectors

| Connector Size | Capacity Core Size     |
|----------------|------------------------|
| Dinky          | 2 x 16 mm <sup>2</sup> |
| Small          | 2 x 25 mm <sup>2</sup> |
| Medium         | 3 x 35 mm <sup>2</sup> |
| Large          | 4 x 35 mm <sup>2</sup> |
| Extra Large    | 4 x 70 mm <sup>2</sup> |



**INFORMATION NOTE:** In zone 2, 21 & 22 areas, conductors can be terminated with Pratley Non-Sparking End Connectors or with rail mounted Kwikkbloks.

### 2 "BUILT IN GLAND" TERMINATION



**MAINTENANCE RECOMMENDATION:** If installation is more than 3 years old - turn or replace lid gasket after opening lid.

**INFORMATION NOTE:** Entry can be converted for use with unarmoured cable by fitting a Compression Conversion Kit or Convert to smaller cable by using a Reducing Gland.

**Earth Screw Assembly**  
M4x 6mm long screw - No. 1 & 2 Box  
M6 x 10mm long screw - No. 2 Box  
M8 x 10mm long screw - No 3 & 4 Box

Non standard External Earth Assembly Optional special on all Boxes.

### 4 FIT THE LID AND TIGHTEN

#### ACCESSORIES

**\*REDUCING GLANDS & SHROUDS FOR USE WITH SMALLER CABLE \*NOT PERMITTED UNDER IECEx CERTIFICATION**

Remove all original gland parts from Box entry  
Fit Reducing Gland and Shroud, after which the smaller armoured cable can be fitted in the normal way. (See selection chart for gland size)

**COMPRESSION CONVERSION KITS FOR USE WITH UNARMOURED CABLE**

Stretch on Rubber bushes Retaining Washer  
Fit  
(See instruction leaflet for conversion kits)

**COMPRESSION CONVERSION KITS FOR INSTRUMENTATION CABLE**

Note:- Cable must be externally clamped

**BLANKING PLUGS**

**CONDUIT ADAPTOR**

Remove all original gland parts and screw in Conduit Adaptor

**POLYCARBONATE LID REPLACEMENT LID SCREWS**