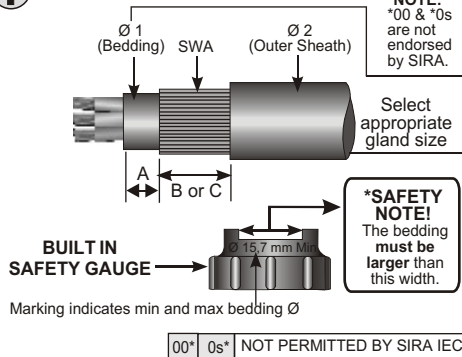


### 1 GLAND SELECTION

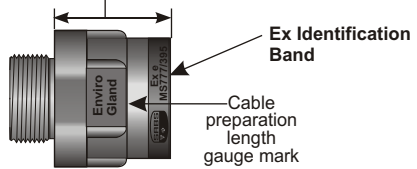


### USE THE CORRECT SIZE GLAND

DIMENSION	GLAND SIZE										
	00*	0s*	0	1	2	3	4	5			
Ø 1 Bedding	Max	8,5	8,5	12,6	15,7	20,4	26,3	34,7	43,3		
	Min	6,0	6,0	8,5	12,6	15,7	20,4	26,3	34,7		
Ø 2	Max	16,0	16,0	18,6	22,0	27,2	33,2	43,2	54,0		
	Min	10,0	10,0	12,6	15,4	22,0	24,3	33,2	43,2		
A		37,0	37,0	37,0	39,0	46,0	48,0	50,0	65,0		
B		24,0	24,0	24,0	29,0	34,0	38,0	34,0	43,0		
C		40,0	40,0	40,0	45,0	50,0	55,0	55,0	65,0		
Steel Wire Dia						1.25	1.6		2.0		
Torque no slip (N.m)		5	5	5	6	7	9	12	13		
Metric Version		M16	M20	M20	M20	M25	M32	M40	M50		
NPT Version		1/2" x 14tpi	3/4" x 14tpi	1/2" x 14tpi	3/4" x 14tpi	1" x 11 1/2tpi					

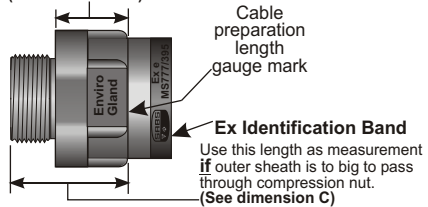
### EXPOSED BEDDING MEASUREMENTS

Use this length as measurement for length for exposed bedding (See dimension A).

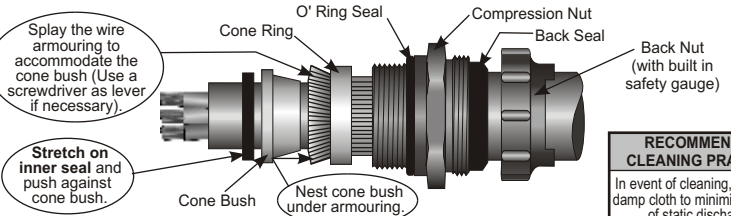


### EXPOSED ARMOURING MEASUREMENTS

Use this length as measurement for exposed armouring if outer sheath of cable can pass through compression nut. (See dimension B)



### 2 FIT CABLE TO GLAND



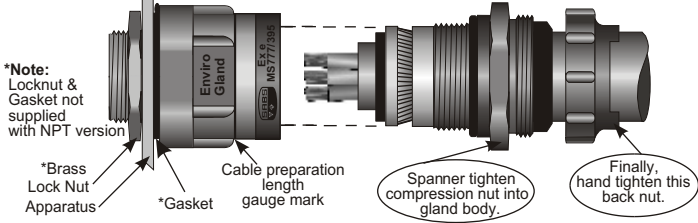
**RECOMMENDED CLEANING PRACTISE**

In event of cleaning, wipe with damp cloth to minimize the risk of static discharge.

**INSTALLATION NOTE**

The cable glands shall not be used on Ex enclosures where the temperature, at the point of mounting, is outside the range of -20°C to +60°C

### 3 TIGHTEN GLAND



**CONGRATULATIONS!**

You now have a safe and corrosion proof IP68 & Ex e termination.

<b>CERTIFICATION</b>	<b>CE 0518</b>
II 2 G D E Ex e II Sira O4ATEX3367 Ex e II / Ex ID A21 IP68 IECEx SIR 05 0057X	

EN 50281-1-1:1998 EN 50014:1997 (A1 & A2) EN 50019:2000 IEC 60079-0:2004 ED 4 IEC 60079-7:2006 ED 4 IEC 61241-0:2004 ED 1 IEC 61241-1: 2004 ED 1
--------------------------------------------------------------------------------------------------------------------------------------------------------------------

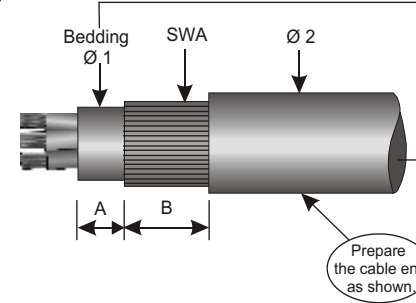
<b>CERTIFICATION</b>	<b>Ex e</b>	<b>IP68</b>	<b>SABS</b>
• SUITABLE FOR USE IN ZONE 1, 2, 21 & 22. • SUITABLE FOR USE WITH Ex e EQUIPMENT. • SABS TEST REPORT FOR N° 777/87269/M395. • MSCERTIFICATEN° 777/M39 5.			

**CORROSIVE AREAS**

**HAZARDOUS Ex e ZONE 1 AREAS**

Material Construction  
Brass  
Glass Filled Nylon 6.6  
E.P.D.M.

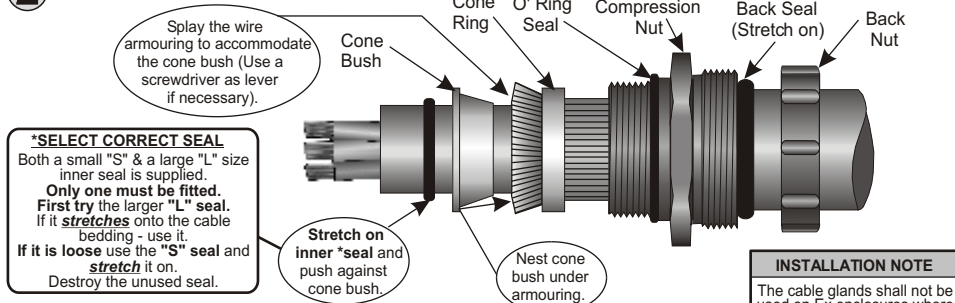
### 1 GLAND SELECTION



### USE THE CORRECT SIZE GLAND

DIMENSION	GLAND SIZE "INNER SEAL SIZE"				
	6	6	7	7	
	*s	*L	*s	*L	
Ø 1	Max	49,6	55,8	60,6	67,5
	Min	43,3	49,7	55,9	60,7
Ø 2	Max	67,1	67,1	78,8	78,8
	Min	53,9	53,9	67,1	67,1
A (Min)		20,0	20,0	22,0	22,0
B		70,0	70,0	85,0	85,0
Thread Entry		M63 x 1.5P	M63 x 1.5P	M75 x 1.5P	M75 x 1.5P
Steel Wire Dia		2.5		2.5	
Torque no slip (N.m)		14		16	

### 2 FIT CABLE TO GLAND



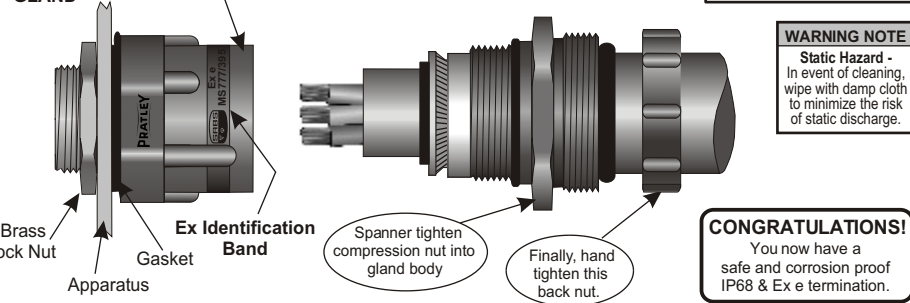
**\*SELECT CORRECT SEAL**

Both a small "S" & a large "L" size inner seal is supplied. Only one must be fitted. First try the larger "L" seal. If it stretches onto the cable bedding - use it. If it is loose use the "S" seal and stretch it on. Destroy the unused seal.

**INSTALLATION NOTE**

The cable glands shall not be used on Ex enclosures where the temperature, at the point of mounting, is outside the range of -20°C to +60°C

### 3 TIGHTEN GLAND



**WARNING NOTE**

Static Hazard - In event of cleaning, wipe with damp cloth to minimize the risk of static discharge.

**CONGRATULATIONS!**

You now have a safe and corrosion proof IP68 & Ex e termination.

**CORROSIVE AREAS**

**HAZARDOUS Ex e ZONE 1 AREAS**

<b>CERTIFICATION</b>	<b>CE 0518</b>
II 2 G D E Ex e II Sira O4ATEX3367 Ex e II / Ex ID A21 IP68 IECEx SIR 05 0057X	

EN 50281-1-1:1998 EN 50014:1997 (A1 & A2) EN 50019:2000 IEC 60079-0:2004 ED 4 IEC 60079-7:2006 ED 4 IEC 61241-0:2004 ED 1 IEC 61241-1: 2004 ED 1
--------------------------------------------------------------------------------------------------------------------------------------------------------------------

<b>CERTIFICATION</b>	<b>Ex e</b>	<b>IP68</b>	<b>SABS</b>
• SANS IEC 60079-0 & 60079-7 • SUITABLE FOR USE IN ZONE 1, 2, 21 & 22. • SUITABLE FOR USE WITH Ex e EQUIPMENT. • SABS TEST REPORT FOR N° 777/87269/M395. • MS CERTIFICATE N° 777/M395. • Ex e II/Ex ID A21 IP68 • IEC Cert N° IECEx SIR 05 0057X			