

### FITTING INSTRUCTIONS FOR PRATLEY ADJUSTABLE CABLE GLANDS

#### 1 CERTIFICATION & CABLE SELECTION

A Pratley Adjustable Cable Gland is designed for use with SWA cable.

FOR CLEARANCE HOLE APPARATUS (Steps 1 to 6)

#### CERTIFICATION

SANS 1213 Ed. 3  
XPL/22530/22.0473  
SANS 60529\*\*

**SABS APPROVED**

MASC 14-0929  
SABS 14-574  
SABS 14-276

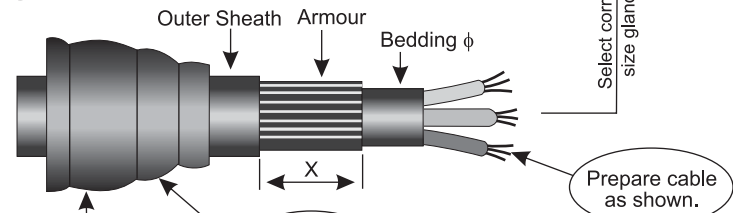
**IMPACT CATEGORY: 8 (20 J)** - Suitable for mining applications  
**TEMP RANGE:** -60°C to +200°C, -35°C to +120°C (if fitted with shrouds/inner seals)  
\*\*-IP54 when fitted with shroud & nipple gasket (see accessories)  
\*\*-IP68 (2m.) when fitted with shroud, nipple gasket & inner seal (see accessories)

#### SELECTION CHART

Gland Size	Entry Thread Size/Type	Entry Thread Length L (min,mm)	Cable Details				A/F Diam (mm)	Install Torque (Nm)	
			Armour Length X (mm)	Bedding Diameter (mm)		Armour Diameter (mm)			
				Min	Max	Min			Max
0*	M20	10.5	12.0	8.5	12.6	0.90	1.25	23.0	16
1	M20	10.5	14.0	12.6	15.7	0.90	1.25	28.0	20
2	M25	10.5	16.0	15.7	20.4	1.25	1.60	35.3	26
3	M32	12	19.0	20.4	26.3	1.60	2.00	42.4	50
4	M40	13	21.0	26.3	34.7	1.60	2.00	55.0	100
5	M50	17	26.0	34.7	43.3	2.00	2.50	70.0	130
6	M63	17	30.0	43.3	55.8	2.00	2.50	82.0	130
7	M75	22	32.0	55.8	67.5	2.50	3.00	95.0	130
8	M82	22	34.0	67.5	73.8	3.00	3.50	102.0	130

\*-N° 0 Gland is not adjustable.

#### 2 CABLE PREPARATION



UV Resistant Rubber Water Proofing Shroud (optional)

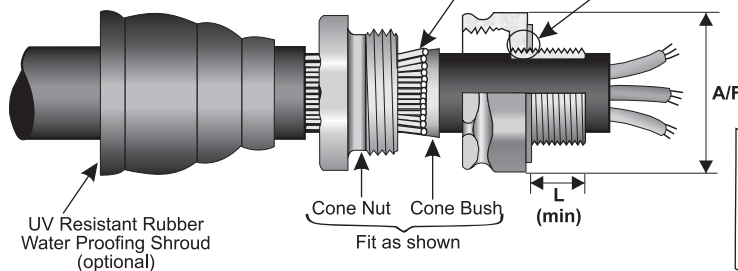
Before preparing the cable, turn shroud inside out and pull over the cable as shown.

Turn nipple by hand until located just inside the differential nut

Flare out wire armouring.

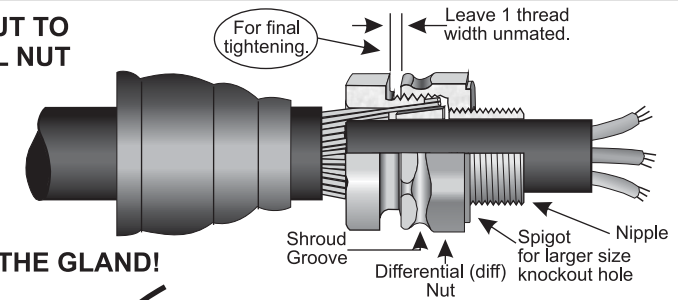
Select correct size gland.

#### 3

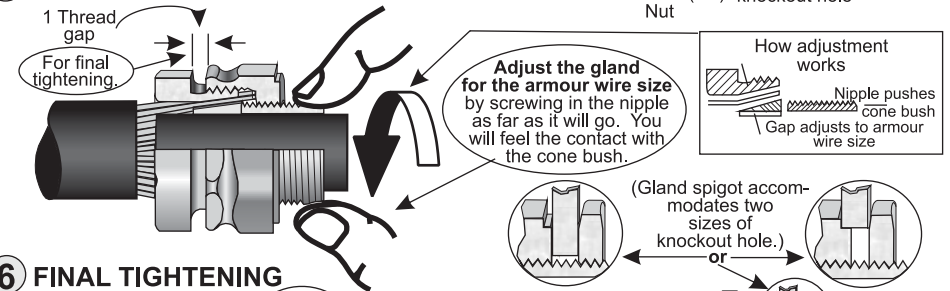


**NOTE:** If installing the Stainless Steel version of the gland, use a suitable oil/grease on all threads during installation.

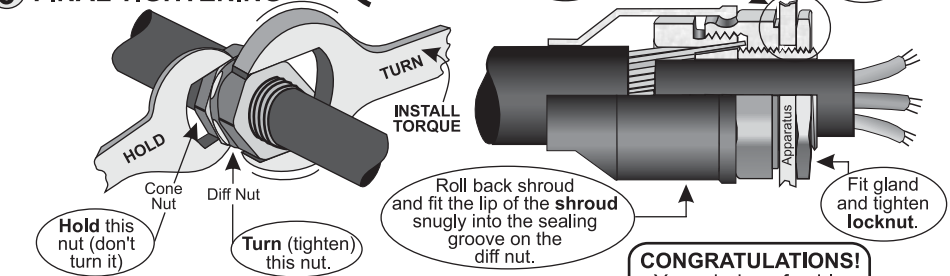
#### 4 JOIN CONE NUT TO DIFFERENTIAL NUT



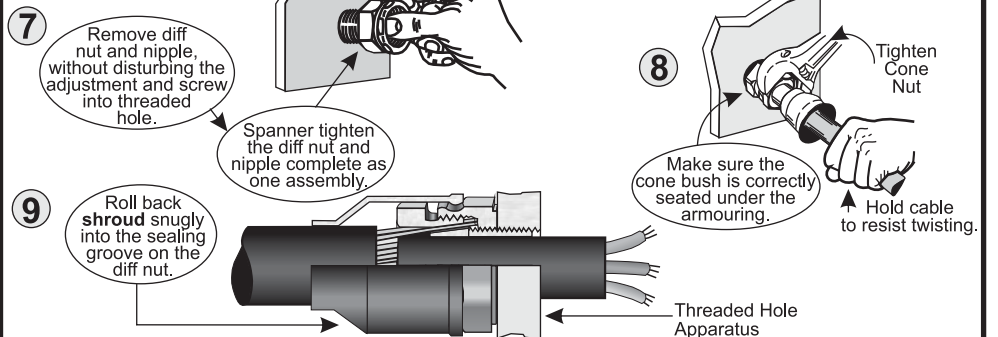
#### 5 NOW ADJUST THE GLAND!



#### 6 FINAL TIGHTENING



#### FOR THREADED HOLE APPARATUS (Steps 1 to 5 then 7 to 9)



#### ACCESSORIES

EXTENDED NIPPLE (FOR THICK GLAND PLATES)



EARTHING TAG



INNER SEAL KIT



SHROUD



**MONTEERANWYSINGS VIR  
PRATLEY VERSTELBARE KABELAFDIGSTUKKE**

**1 SERTIFISERING &  
KABEL SELEKSIE**

'n Pratley Verstelbare Kabelafdigstuk is ontwerp vir gebruik met Staaldraad Gepantserde kabel.

**VIR APPARAAT MET 'N ONGETAPTE GAT  
(Stappe 1 tot 6)**

**SERTIFISERING**

SANS 1213 Ed. 3 MASC 14-0929  
XPL/22530/22.0473 SABS 14-574  
SANS 60529\*\* SABS 14-276

**SABS APPROVED**

IMPAK KATEGORIE: 8 (20 J) - Geskik vir gebruik in myne

TEMP REEKS: -60°C to +200°C, -35°C to +120°C (net as mantel/binne seëls gepas word)

\*\*-IP54 net as mantel & nippel pakstuk gepas word (sien toebehore)

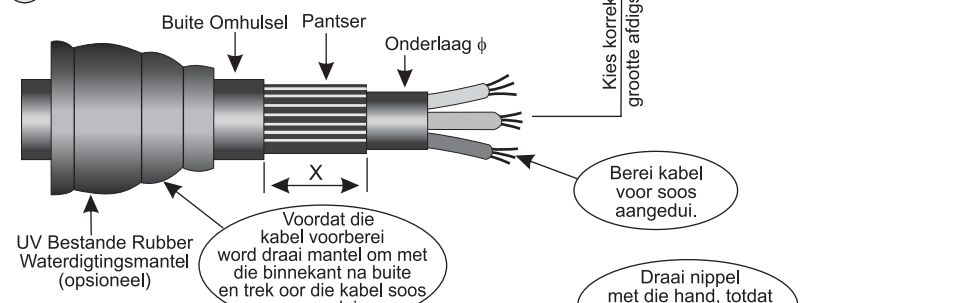
\*\*-IP68 (2m.) net as mantel, nippel pakstuk & binne seël gepas word (sien toebehore)

**SELEKSIEKAART**

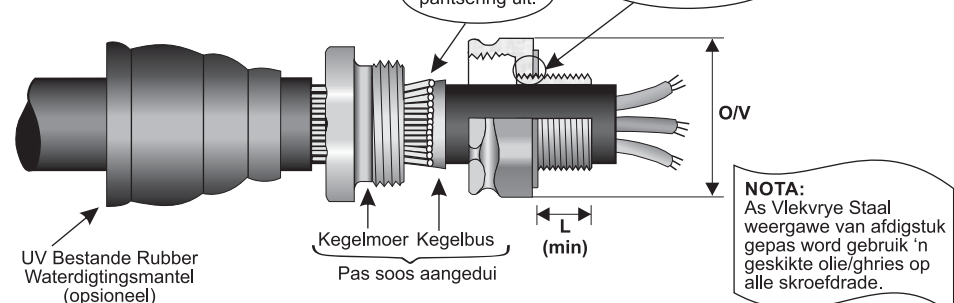
Afdigstuk Grootte	Ingang draad Grootte/ Tipe	Ingang draad Lengte L (min,mm)	Kabel besonderhede				O/V Deursnee (mm)	Instaleerings Wringkrag (Nm)	
			Pantser lengte X (mm)	Onderlaag Deursnee (mm)		Pantser Deursnee (mm)			
				Min	Max	Min			Max
0*	M20	10.5	12.0	8.5	12.6	0.90	1.25	23.0	16
1	M20	10.5	14.0	12.6	15.7	0.90	1.25	28.0	20
2	M25	10.5	16.0	15.7	20.4	1.25	1.60	35.3	26
3	M32	12	19.0	20.4	26.3	1.60	2.00	42.4	50
4	M40	13	21.0	26.3	34.7	1.60	2.00	55.0	100
5	M50	17	26.0	34.7	43.3	2.00	2.50	70.0	130
6	M63	17	30.0	43.3	55.8	2.00	2.50	82.0	130
7	M75	22	32.0	55.8	67.5	2.50	3.00	95.0	130
8	M82	22	34.0	67.5	73.8	3.00	3.50	102.0	130

\*-N° 0 Afdigstuk is nie verstelbaar nie.

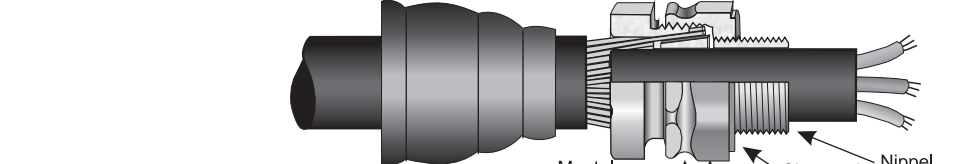
**2 KABELVOORBEREIDING**



**3**



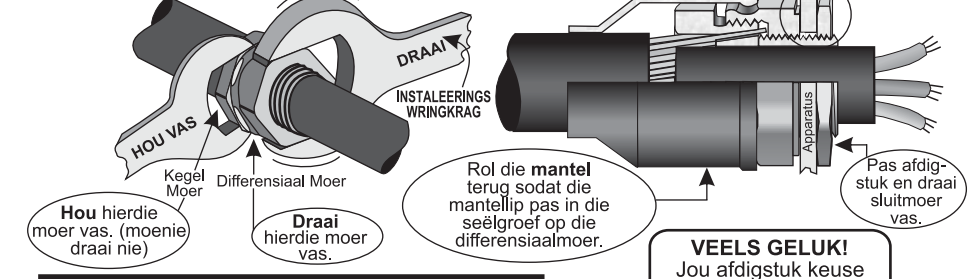
**4 PAAR KEGELMOER MET DIFFERENSIAAL MOER**



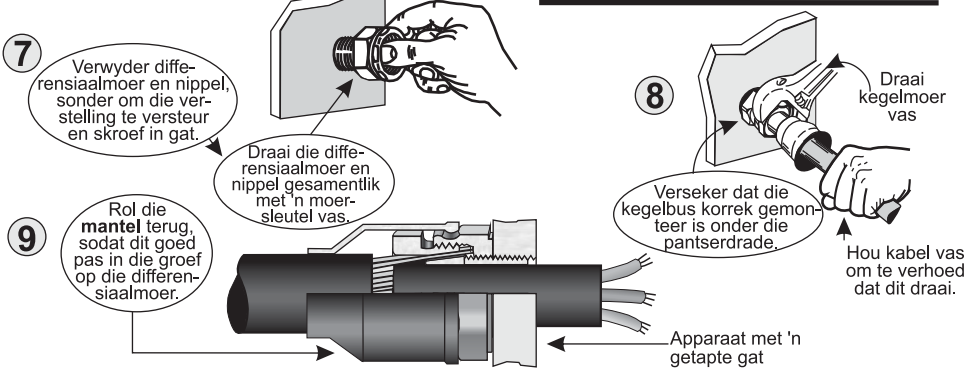
**5 VERSTEL DIE AFDIGSTUK**



**6 VIR FINALE VASDRAAI**



**VIR APPARAAT MET 'N GETAPTE GAT  
(Stappe 1 tot 5 dan 7 tot 9)**



**TOEBEHORE**

<b>VERLENGDE NIPPELS</b> (VIR DIK MONTEERPLATE)	<b>AARDSTROOK</b>	<b>BINNE SEËL STEL</b>	<b>MANTEL</b>
		Rubber Seëlbuis Tapse Waster	