

1 SPECIAL CONDITIONS OF USE

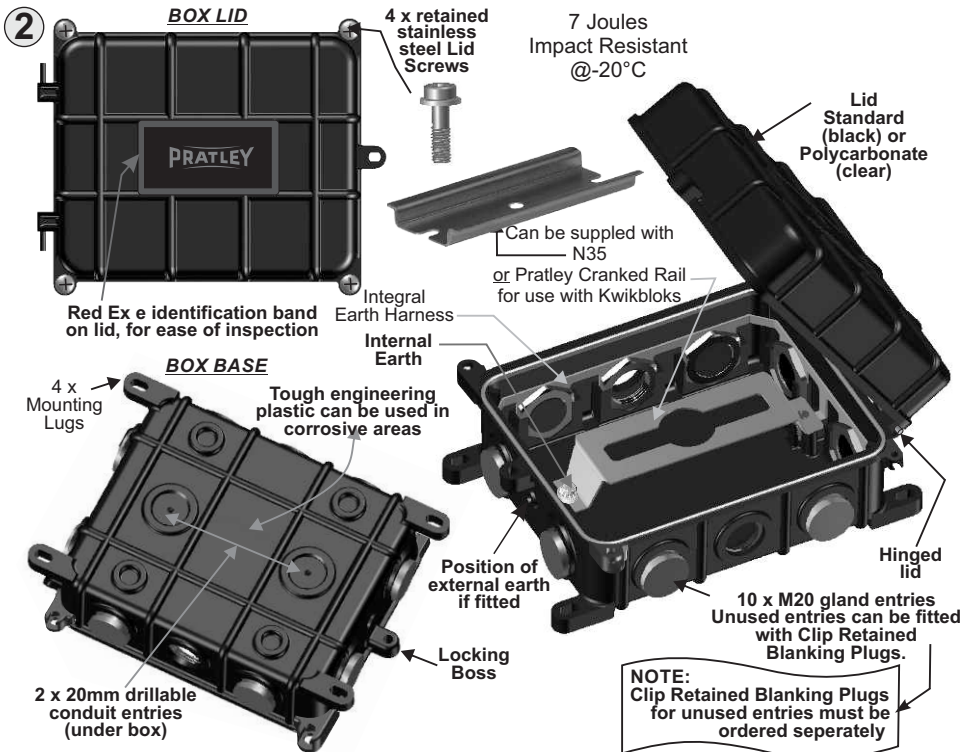
- Junction Box rated for Ambient Temperature Range of -20°C → 40°C
- Installation shall only be carried out by suitably trained personnel in accordance with the code of practice per SANS/IEC 60079-14.
- For Ex e/n applications, use only suitably rated cable glands, plugs and/or adaptors.
- Static hazard, wipe with a damp cloth when cleaning.
- Maximum Dissipated Power not to exceed 7.5W.

CERTIFICATION & MARKING

Ex e IIC, T6 Gb
Ex nA IIC, T6 Gc
Ex ts IIC, T85°C Db
IP 66/68 (2m cont.)
I.A. no. S-XPL16.0786X



• SUITABLE FOR USE IN ZONE 1, 2 21, & 22.



3 FITTING OF GLANDS

Fit per gland fitting instruction leaflet.

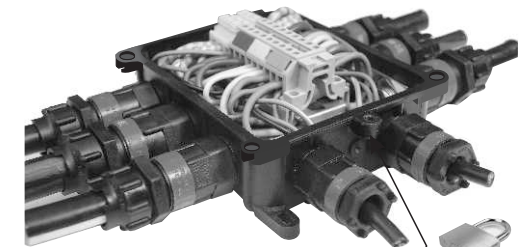
Can be fitted with Pratley Ex e Enviro Glands, Ex e Brass or Ex e Brass Compression Glands.

4 CONNECTING METHODS

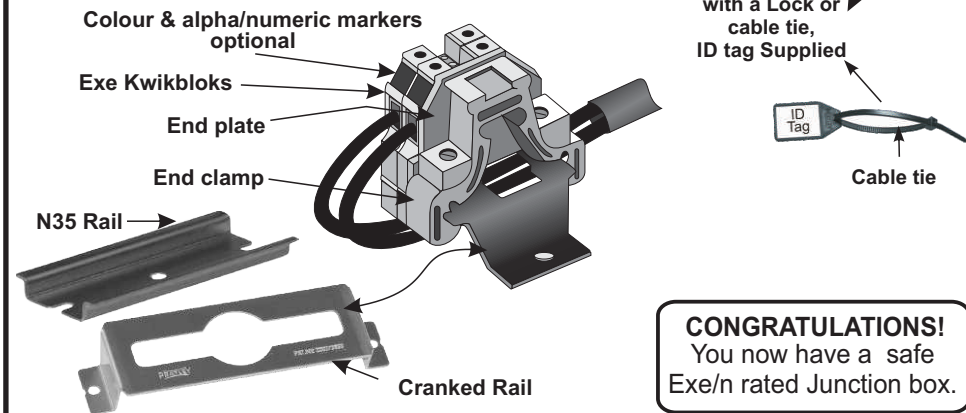
Box Size No. 1	NUMBER OF KWIKBLOKS PER RECTANGULAR BOX							
	IK 3 750/800V 27 A		IK 5 750/800V 36 A		IK 10 750/800V 67 A		IK 16 750/800V 87 A	
	Ex e IK 3 550V 15 A	Ex e IK 5 550V 21 A	Ex e IK 10 550V 37 A	Ex e IK 16 550V 47 A	Max	Prac	Max	Prac
N35 Rail	22	21	18	17	12	11	10	9
Cranked Rail	20	19	16	15	10	9	8	7

Prac.: = Practical number of Kwikbloks to be fitted

Using rail mounted Ex e Kwikbloks



Can be fitted with a Lock or cable tie, ID tag Supplied



CONGRATULATIONS!
You now have a safe Exe/n rated Junction box.

5 CLOSE THE LID AND TIGHTEN SCREWS

Lid screws tightening torque not to exceed 5 Nm.

6 MAINTENANCE / REPAIR

- This product contains no parts which may be repaired.
- Only the lid gasket, lid fasteners and internal terminals/end connectors may be replaced.
- Suitable replacement parts, as stated above, must be purchased from Pratley (see accessories).
- Inspection of termination & condition of lid sealing gasket must only be carried-out by suitably trained personnel in accordance with SANS 60079-17 or IEC 60079-17.
- Any incorrectly fitted, damaged or modified parts will invalidate the type of protection.

7 ACCESSORIES

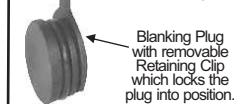
BOX LID Standard (Black) or Polycarbonate (clear) with Gasket



STAINLESS STEEL MOUNTING SCREWS



UNIQUE CLIP RETAINED BLANKING PLUG



REPLACEMENT LID SCREWS



RAILS FOR KWIKBLOKS N35 Rail



1 SPESIALE VOORWAARDES VIR GEBRUIK

- Kabelkas is geskik vir omgewings temperatuur -20°C → 40°C.
- Installasie moet slegs deur geskikte en opgeleide personeel gedoen word in ooreenstemming met SANS/IEC 60079-14.
- Gebruik slegs geskikte gegradeerde afdigstukke/proppe en passtukke vir Ex e toepassings.
- Statiese gevaar, vee kabelkas met 'n **klam lap** af.
- Maksimum Verkwiste Energie mag nie 7.5W oorskry nie.

SERTIFISERING & MERKING

Ex e IIC, T6 Gb
Ex nA IIC, T6 Gc
Ex tB IIC, T85°C Db
IP 66/68 (2m cont.)
I.A. no. S-XPL16.0786X

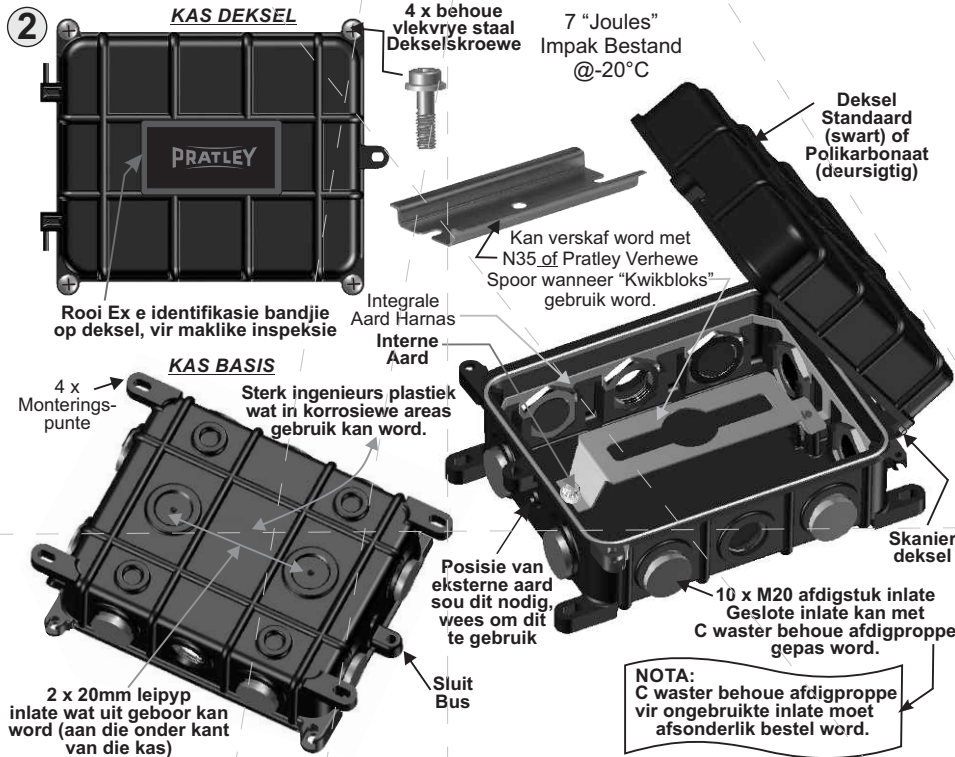


* GESKIK VIR GEBRUIK IN SONE 1, 2, 21, & 22.



2 KAS DEKSEL

4 x behoue vlekvrystaal Dekselkroewe 7 "Joules" Impak Bestand @-20°C



3 PAS AFDIGSTUKKE

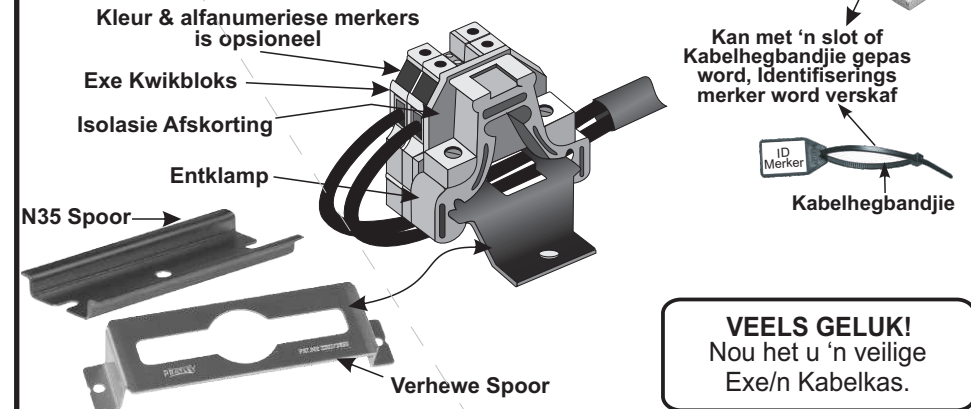
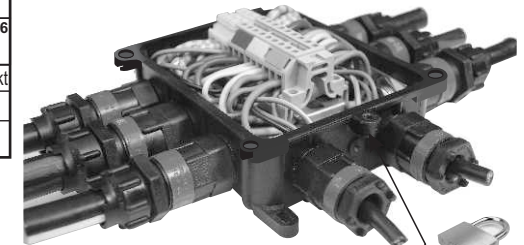


4 VERBINDINGSMETODE

Kas Grootte Nr. 1	AANTAL KWIKBLOKS PER REGHOEKIGE KAS							
	IK 3 750/800V 27 A		IK 5 750/800V 36 A		IK 10 750/800V 67 A		IK 16 750/800V 87 A	
	Ex e IK 3 550V 15 A		Ex e IK 5 550V 21 A		Ex e IK 10 550V 37 A		Ex e IK 16 550V 47 A	
	Maks	Prakt	Maks	Prakt	Maks	Prakt	Maks	Prakt
N35 Spoor	22	21	18	17	12	11	10	9
Verhewe Spoor	20	19	16	15	10	9	8	7

Prakt.: = Aantal Kwikbloks wat prakties installeer kan word.

Gebruik Spoorgemonteerde Ex e Kwikbloks



5 PAS DIE DEKSEL EN DRAAI SKROEWE VAS

Die vasdraai wringkrag van die dekselskroewe moet nie 5 Nm oorskry nie.

6 ONDERHOUD / HERSTELLING

- Hierdie produk bevat geen herstelbare komponente wat nie.
- Slegs die deksel pakstuk, deksel skroewe en interne terminale/entverbinders kan vervang word.
- Al die bogenoemde geskikte vervangings komponente kan by Pratley aangekoop word (sien toebehoere).
- Inspeksie van die terminasie & kondisie van die Deksel Pakstuk moet uitgevoer word deur geskikte en opgeleide personeel in ooreenstemming met SANS 60079-17 of IEC 60079-17.
- Alle verkeerdelik gepaste, beskadigde of veranderde komponente sal die tipe beskerming ongeldig maak.

7 TOEBEHORE

