



PRATLEY®

www.pratleyelectrical.com

Sales
Leaflet
No. 019

March
2020

RECTANGULAR ENVIROBOX®



**Ex e & IP68
Certified.**

Available with either
Black or Clear
(Polycarbonate) Lid



CERTIFICATION



IA No.S-XPL/16.0786X

Ex e IIC T6 Gb
Ex nA IIC T6 Gc
Ex tb IIIC T85°C Db
IP68/IP66(2m-cont)

EC / SANS 60079-0
IEC / SANS 60079-7
IEC / SANS 60079-15
IEC / SANS 60079-31
IEC / SANS 60529

Suitable for use in
Zones 1, 2, 21 & 22

FEATURES & BENEFITS

- 10-Way box with 20mm entries:
10 Open entries & 2 Drillable bottom entries.
- Hinged lid.
- Available with either Black or Clear
(Polycarbonate) Lid.
- Tough & corrosion proof.
- Patented, cranked terminal rail ensures lots of
space for insertion of conductors into Kwikblok®
terminals.
- Integrated earth continuity between
entries using the earthing harness.
- 4 Slotted mounting lugs.
- Accessories available.



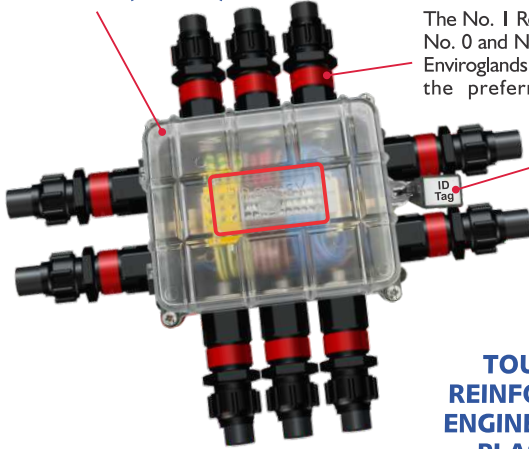
PRATLEY RECTANGULAR ENVIROBOXES®

Ex e/n & Standard (N° 1)

The Rectangular Envirobox® comes standard with an Integral Earthing Harness, Terminal Rail, clear (Polycarbonate) or Black Lid, Lid Gasket, 4 x stainless steel lid screws and an Identification Tag.

7 Joule
Impact
Resistant
@ -25°C

POLYCARBONATE LID (CLEAR)



CABLE GLANDS FOR ARMoured OR UNARMoured CABLE

The No. 1 Rectangular Envirobox accepts No. 0s, No. 0 and No. 1 (20 mm) Cable Glands. (Pratley Enviroglands and Enviro Compression Glands are the preferred option, as depicted here).

STANDARD LID (BLACK)

IDENTIFICATION TAG

Supplied with the box for easy circuit identification or for easy recording by inspectors.

KWIKBLOKS

Can be fitted with rail mounted Kwikblok terminals.

TOUGH REINFORCED ENGINEERING PLASTIC

Makes the box completely impact-resistant and corrosion-resistant.

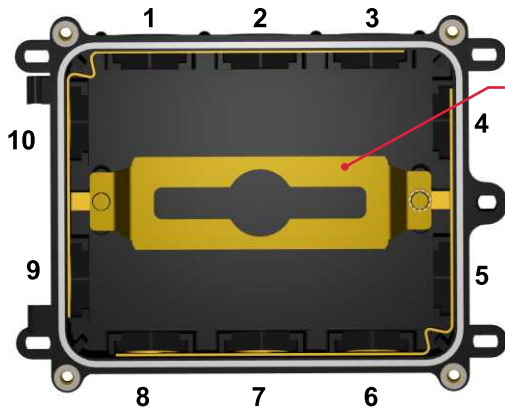
INTERNAL EARTH

EXTERNAL EARTH

HINGED LID (Replacable)

BOX WITH 10 x OPEN ENTRIES

The box is supplied standard with 10 x 20mm open gland entries & 2 x 20mm drillable bottom conduit entries.



CRANKED BRASS TERMINAL RAIL

This patented rail makes termination a breeze. The conductors can be passed under the rail with a generous radius for easy fitting into Kwikbloks.

N35 TERMINAL RAIL



Can be supplied with a N35 rail.

REPLACEABLE RETAINED SEALING GASKET for IP66/68 rating



BRASS INTEGRAL HARNESS

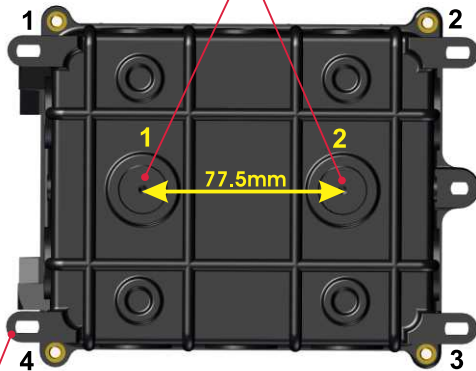
Ensures earthing continuity between all entries and terminal rail.

END-CONNECTORS & SLEEVES

Can be fitted with end connectors and insulating sleeves. (Not Ex e)

BOX WITH 2 BOTTOM ENTRIES

Closed entries may be drilled out, as required, using a Hole Saw. Glands or conduit can be fitted to the entries (Not Ex e)



LID SCREWS

4 x retained stainless steel lid screws

IDENTIFICATION BAND

For ease of inspection.

MOUNTING LUGS

4 of these mounting lugs prevent rocking on uneven surfaces and the box's tough plastic design prevents any cracking while tightening the lug screws. (Stainless steel mounting screws available as an accessory)



CLIP RETAINED BLANKING PLUG

Removable Blanking Plug with o'ring & retaining clip, which locks the plug into a secured position.

NOTE:
Clip Retained Blanking Plug for unused entries must be ordered separately.

RECTANGULAR ENVIROBOX® ORDER CHART

This cable box is supplied complete with Integral Earthing Harness, Terminal Rail, clear (Polycarbonate) or Black Lid, Lid Gasket, 4 x stainless steel lid screws and an Identification Tag.

Always use the Catalogue Number when ordering and specify "black" or "transparent" (polycarbonate) lid.

RECTANGULAR ENVIROBOX® with Black or Transparent lid					
Size	Ex e/n Box		Standard Box		Usual Pack Qty.
	C/W Black Lid	C/W Transparent Lid	C/W Black Lid	C/W Transparent Lid	
Nº 1	57359	57360	57351	57352	1

PRATLEY GLAND SELECTION CHART

This box is designed to be fitted with Pratley Cable Glands. The chart below shows the correct type of Pratley Glands for armoured or unarmoured cables, hazardous or corrosive applications.

(The Pratley Ex e Enviroglan or Pratley Ex e/d Enviro Compression Gland are the recommended choice for all applications).

GLAND SELECTION FOR Nº 1 RECTANGULAR ENVIROBOX®				
THE FOLLOWING GLANDS CAN BE FITTED:				
ARMOURIED CABLE	Standard	Ex e/n	Cat. No.	Corrosive Area
Ex e Enviro Gland	No. 0s	•	31999	•
	No. 0	•	32000	
	No. 1	•	32001	
Ex e Gland	No. 0s	•	21050	
	No. 0	•	21100	
	No. 1	•	21200	
Adjustable Gland with Shroud, Inner seal Kit & Nipple Gasket	No. 0	•	01001	•
	No. 1	•	02002	
UNARMOURIED CABLE	Standard	Ex e/n	Cat. No.	Corrosive Area
Ex e Enviro Compression Gland	No. 0s	•	32108	•
	No. 0	•	32100	
	No. 1	•	32101	
Ex e Brass Compression Gland	No. 0s	•	22187	
	No. 0	•	22188	
	No. 1	•	22189	
Adjustable Gland fitted with Comp. Conversion Kit & Nipple Gasket	No. 0	•	01001	
	No. 1	•	02002	

KWIKBLOK® SELECTION CHART

See chart below for number of Pratley Kwikbloks that can be fitted per rail (including end plates and end clamps).

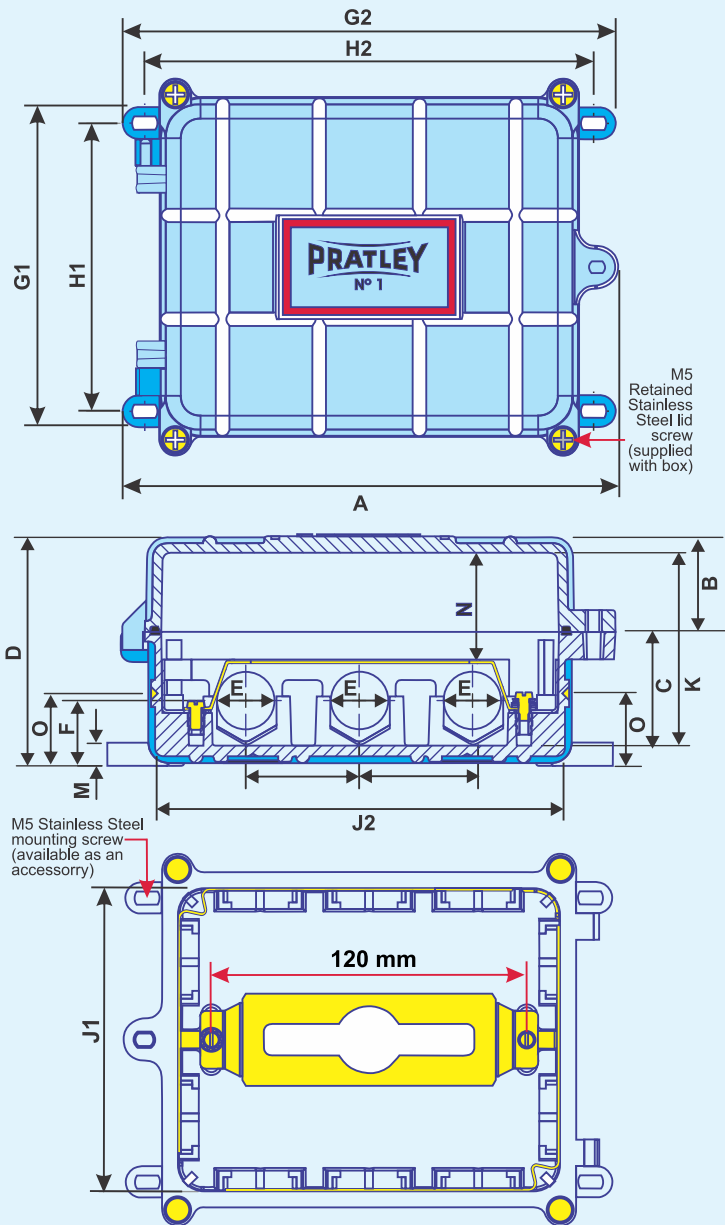
Box Size No. 1	NUMBER OF PRATLEY KWIKBLOKS® PER RECTANGULAR ENVIROBOX®			
	IK3 750/800V 27A	IK5 750/800V 36A	IK10 750/800V 67A	IK16 750/800V 87A
↓	Ex e IK3 550V 15A	Ex e IK5 550V 21A	Ex e IK10 550V 37A	Ex e IK16 550V 47A
	Max.	Max.	Max.	Max.
N35 Rail	22	18	12	10
Cranked Rail	20	16	10	8

Max.: Number of Kwikbloks that can be fitted.

The box can be fitted with Pratley end connectors as well, but not for Ex e (Zone 1) locations.

SAFETY NOTE: In Zone 1 locations use only Ex e approved Pratley Kwikbloks®
NB! 7.5 W maximum dissipated power on box Nº 1

DIMENSIONS & SPECIFICATIONS



DIMENSIONS - RECTANGULAR ENVIROBOX®	
DESCRIPTION	DIMENSION
A (G1) Outer dimension of box	187.0 mm
B Lid height	37.0 mm
C Internal dept of bottom halve of the box	42.0 mm
D Overall height of box	88.0 mm
E Entry (M20 x 1.5P) centres	41.5 mm
F Height from bottom of box to centre of the entry	24.0 mm
G1 Base width	114.0 mm
G2 Base width	185.0 mm
H1 Mounting lug centres	107.0 mm
H2 Mounting lug centres	168.0 mm
J1 Internal dimension of box	114.0 mm
J2 Internal dimension of box	143.0 mm
K Internal depth of box with lid	71.0 mm
M Mounting lug height	8.5 mm
N Height from top of rail to inside of lid	40.0 mm
O External earth from bottom of box	31.0 mm

SPECIFICATION GUIDE (Ex e/n Box)

The Junction Box must:

- Comply with SANS 60079-0, 60079-7, 60079-15 and SANS 60079-31 for use in Zone 1, 2, 21 and 22 hazardous locations.
- Be made from tough, reinforced engineering plastic (impact resistant).
- Be supplied with a cranked brass terminal rail for the fitting of rail mounted connectors.
- Be supplied with a brass earthing harness, so that the earthing system of the box is integrated between the box entries and rail.
- Have lid incorporating a replaceable retained sealing gasket for easy maintenance and IP66/IP68 compliance.
- Be supplied with a security tag and 4 retained lid screws, to ensure compliance with SANS and IEC standards regarding access to electrical junction boxes.

SPECIFICATION GUIDE (Standard Box)

The Junction Box must:

- As above except Paragraph 1 to be replaced with:-
Be IP68 rated in accordance with SANS 60529

*Note: Specifiers may use this wording to specify the Pratley Rectangular Envirobox.

RECTANGULAR ENVIROBOX®

RECTANGULAR ENVIROBOX® & ACCESSORIES

RECTANGULAR BOXES - STANDARD IP68 OR Ex e/n



RECTANGULAR ENVIROBOX® with Black or Transparent lid					
Size	Ex e/n Box		Standard Box		Usual Pack Qty.
	C/W Black Lid	C/W Transparent Lid	C/W Black Lid	C/W Transparent Lid	
Nº 1	57359	57360	57351	57352	1

TRANSPARENT (POLYCARBONATE) LID

The Polycarbonate lid is clear, almost unbreakable, IP68, Ex e and Ex n rated. Allows easy inspection of the connectors.



TRANSPARENT (POLYCARBONATE) LIDS		
Box Size	Nº 1 Ex e/n	Nº 1 Standard
Catalogue Number	57373	57371
Usual Pack Quantity	1	1

BLACK LID

The Black lid is almost unbreakable, IP68, Ex e and Ex n rated.



BLACK LIDS		
Box Size	Nº 1 Ex e/n	Nº 1 Standard
Catalogue Number	57372	57370
Usual Pack Quantity	1	1

NON-SPARKING END CONNECTORS & INSULATING SLEEVES

(Not for Ex e applications)

Non-Sparking End Connectors have a pressure pad so that the clamping screw does not bear directly onto the core. The insulating sleeves are easily removed for inspection but will not vibrate loose.



NOTE:
STD BOX ONLY

PRATLEY NON-SPARKING END CONNECTORS

Connector Size	Dinky	Small	Medium	Large	Extra Large
Catalogue No.	63200	63201	63202	63203	63204
Usual Pack Qty.	100	50	20	20	10

PRATLEY INSULATING SLEEVES

Sleeve Size	2/D	3/S	4/M	5/L	6/XL
Catalogue No.	04014	04015	04016	04017	04018
Usual Pack Qty.	50	25	20	10	10

PRATLEY Ex e KWIKBLOKS for Ex e Cable Boxes

(Sales Leaflet No. 061)

FOR EX & STD BOX



MOUNTING SCREW KIT

4 x Cheese Head screws 35mm long and 4 x M6 washers & nuts.

MOUNTING SCREW KIT	
Box Size	Nº 1
Catalogue Number	57330
Usual Pack Quantity	1 KIT



IDENTIFICATION TAG

For easy recording of inspection dates or for circuit identification.



FOR EX & STD BOX

ID TAG	
Catalogue No.	57266
Usual Pack Qty.	10

LOCKNUTS

Additional steel or brass locknuts can be ordered separately.



Brass Locknut (Nickel plated or unplated)

FOR EX & STD BOX

BRASS LOCKNUTS		
Box Size	Nº 0	Nº 1
Catalogue Number	02882	02882
Usual Pack Quantity	1	1

CLIP RETAINED BLANKING PLUG

Specially designed blanking plug with removable retaining clip which locks the plug into a secured position.



Clip Retained Blanking Plug

CLIP RETAINED BLANKING PLUG	
Box Size	Nº 1
Catalogue Number	57292
Usual Pack Quantity	1

FOR EX & STD BOX

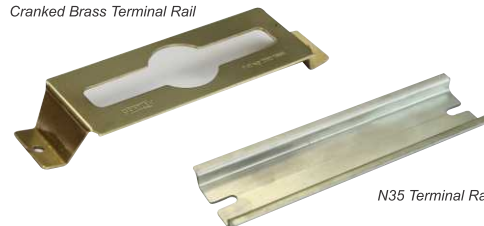
CRANKED BRASS TERMINAL RAIL

The unique design ensures lots of space for insertion of conductors into Kwikblok® terminals

CRANKED BRASS TERMINAL RAIL	
Box Size	Nº 1
Catalogue Number	57386
Usual Pack Quantity	1

FOR EX & STD BOX

Cranked Brass Terminal Rail



N35 Terminal Rail

N35 TERMINAL RAIL

Box can also be fitted with N35 rail.

N35 TERMINAL RAIL	
Box Size	Nº 1
Catalogue Number	57387
Usual Pack Quantity	1

ENVIROGLAND RANGE

PRATLEY ENVIRO COMPRESSION GLANDS (FOR UNARMoured CABLE) Ex d/e

The Pratlley Enviro Compression Gland is designed to withstand corrosive environments. It is dual certified Ex e and Ex d. No special conditions (Group II & III). IP66/68 (350m cont.) Supplied with a locknut and nipple sealing gasket.



PRATLEY ENVIROGLANDS (FOR ARMoured CABLE) Ex e

The standard Pratlley Envirogland is designed to withstand corrosive environments. It is certified for use on all Ex e apparatus. Supplied with a locknut and nipple sealing gasket.



GLAND SELECTION CHART - ENVIRO COMPRESSION										
Gland size	00	0s	0	1	2	3	4	5	6	7
Catalogue No.	32109	32108	32100	32101	32102	32103	32104	32105	32106	32107
Cable Dia. Range	Min.	3.0	3.0	8.0	11.5	15.7	20.4	26.3	34.7	55.8
	Max.	8.5	8.5	12.6	15.7	20.4	26.3	34.7	43.3	67.5

Use catalogue number when ordering.

GLAND SELECTION CHART - PRATLEY ENVIROGLAND										
Gland size	00	0s	0	1	2	3	4	5	6	7
Catalogue No.	31998	31999	32000	32001	32002	32003	32004	32005	32006	32007
Diameter over cable bedding	Max.	8.5	8.5	12.6	15.7	20.4	26.3	34.7	43.3	67.5
	Min.	6.0	6.0	8.5	12.6	15.7	20.4	26.3	34.7	55.8
Overall cable diameter	Max.	16.0	16.0	18.6	22.0	27.3	33.5	43.2	53.5	79.0
	Min.	10.0	10.0	12.6	15.4	22.0	24.3	33.5	43.2	67.2

Use catalogue number when ordering.

Pratlley (Pty) Limited (Reg. No. 1996/003890/07)

Jackson Street • Fictoria • Krugersdorp • Gauteng - Telephone +27 11 955 2190/8 • Fax +27 11 955 3918
PO Box 3055, Kenmare 1745 • Gauteng • South Africa - www.pratlleyelectrical.com



/PratlleySA

@PratlleySA

/PratlleySA