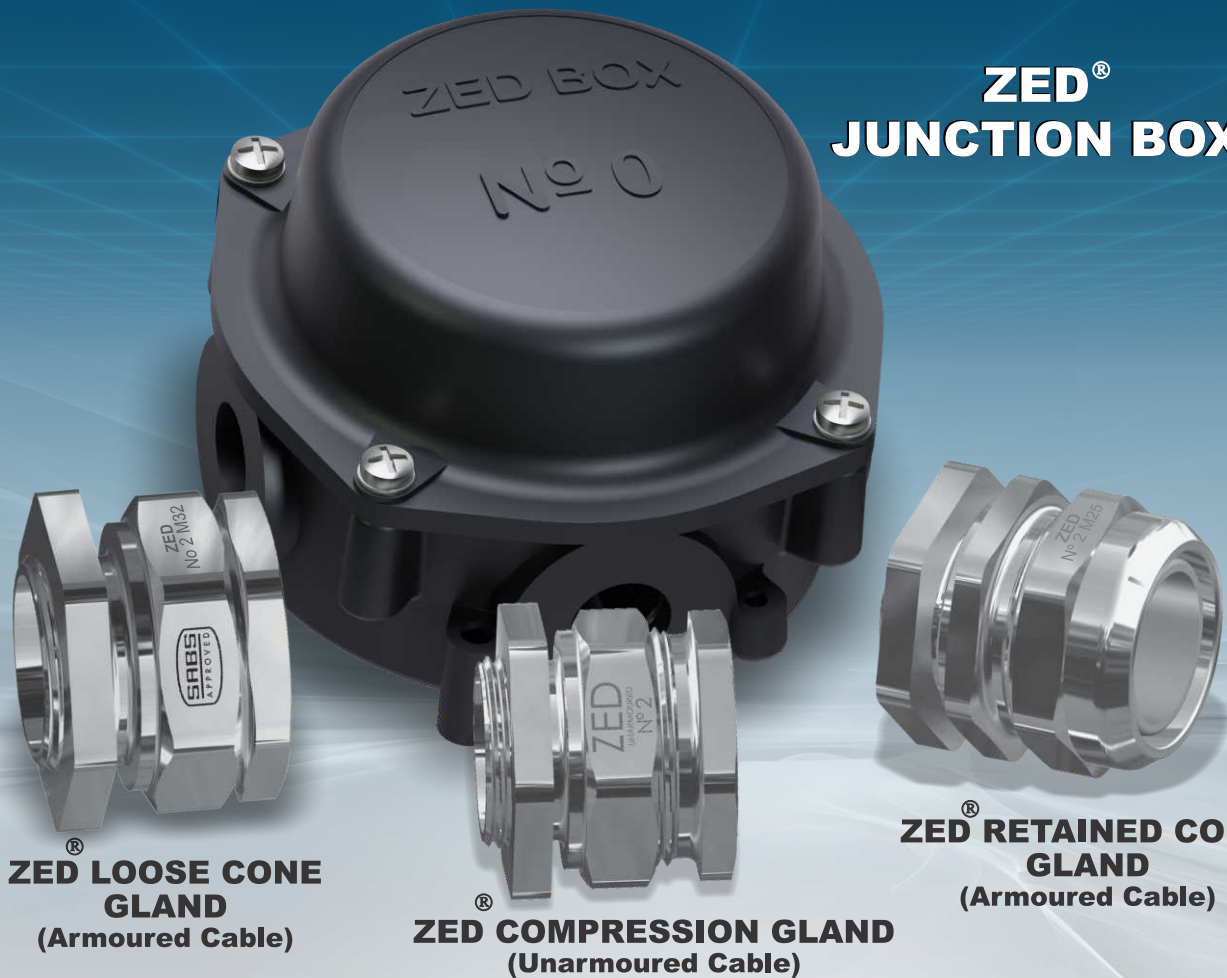


# ZED<sup>®</sup> BOX & GLAND RANGE

Sales  
Leaflet  
No. 062  
Feb  
2023

## ZED<sup>®</sup> JUNCTION BOX



**ZED<sup>®</sup> LOOSE CONE GLAND**  
(Armoured Cable)

**ZED<sup>®</sup> COMPRESSION GLAND**  
(Unarmoured Cable)

**ZED<sup>®</sup> RETAINED CONE GLAND**  
(Armoured Cable)

### CERTIFICATION

#### ZED<sup>®</sup> JUNCTION BOXES



SANS 60529  
IP66/68 (2m cont)  
-20 → +55°C

#### ZED<sup>®</sup> CABLE GLANDS



SANS 1213 Ed. 3  
Impact Category: 8 (20J)  
XPL/22530/22.0146

## FEATURES & BENEFITS

### ZED<sup>®</sup> JUNCTION BOX:

- General purpose utility box
- Manufactured from tough engineering plastic
- Fitted with raised dome lid
- Threaded entries
- Lightweight & waterproof (IP68 to 2m)
- Accessories available

### ZED<sup>®</sup> CABLE GLAND RANGE:

#### GLANDS FOR ARMOURD CABLE

##### ZED<sup>®</sup> Retained Cone Glands

- Gland for armoured cable -60 → +200°C (without shroud)  
-35 → +120°C (with shroud)
- Includes a retained, rotary cone bush
- Nickel plated brass glands with nickel plated brass locknuts
- Accessories available

##### ZED<sup>®</sup> Loose Cone Glands

- Gland for armoured cable -60 → +200°C (without shroud)  
-35 → +120°C (with shroud)
- Includes a self centering loose cone bush
- Nickel plated brass glands with nickel plated brass locknuts
- Accessories available

#### GLANDS FOR UNARMOURD CABLE

##### ZED<sup>®</sup> Compression Glands

- Gland for unarmoured cable IP68 -20 → +75°C (with nipple gasket)
- Nickel plated brass glands with nickel plated brass locknuts
- Accessories available

## ZED® JUNCTION BOXES

Designed and manufactured as a general purpose utility junction box. It is manufactured from a tough engineering plastic and fitted with a raised dome lid which is held down by stainless steel screws, rendering the box waterproof and tamperproof.

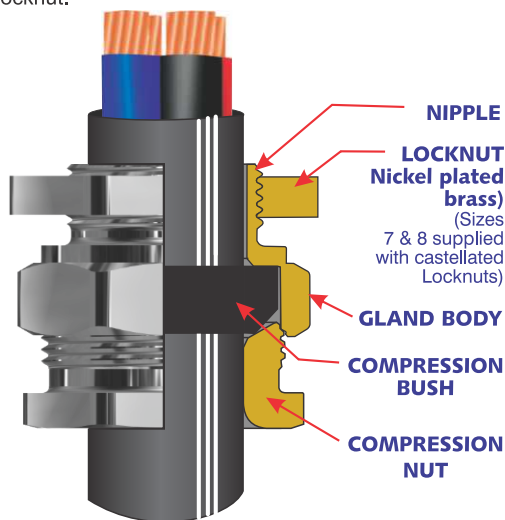


ZED® BOXES				
BOX SIZE	BOX ENTRY THREAD	CONFIGURATION	C/W BLACK LID PRODUCT CODE	USUAL PACK QTY
No. 0	M20 x 1.5P	4 Way Right Angle	54400	1
No. 1	M20 x 1.5P	4 Way Right Angle	54402	1
No. 2	M25 x 1.5P	4 Way Right Angle	54404	1

All measurements in the table above are in millimeters (mm) unless otherwise specified

## ZED® COMPRESSION GLANDS (FOR UNARMoured CABLE)

A general purpose utility range of nickel plated brass cable glands for unarmoured cable. Supplied complete with a nickel plated brass locknut.

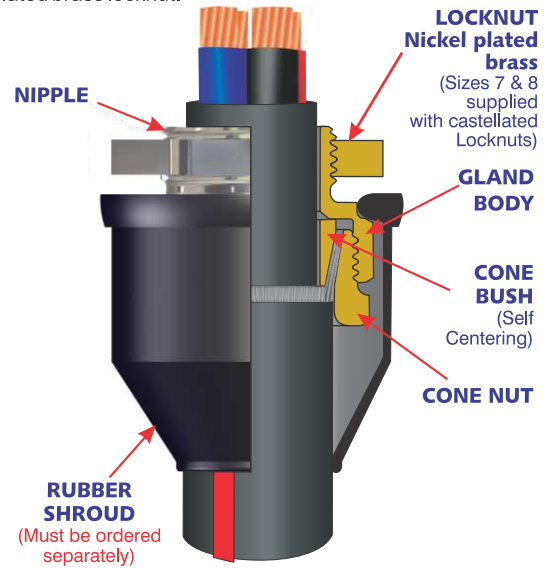


ZED® COMPRESSION GLAND (FOR UNARMoured CABLE)					
GLAND SIZE	THREAD	PRODUCT CODE	GLAND SIZE	THREAD	PRODUCT CODE
0s	M20 x 1.5P	54011	4	M40 x 1.5P	54016
0	M20 x 1.5P	54012	5	M50 x 1.5P	54017
1	M20 x 1.5P	54013	6	M63 x 1.5P	54018
2	M25 x 1.5P	54014	7	M75 x 1.5P	54019
3	M32 x 1.5P	54015	8	M82 x 1.5P	54020

All measurements in the table above are in millimeters (mm) unless otherwise specified

## ZED® LOOSE CONE GLANDS (FOR ARMoured CABLE)

A general purpose utility range of nickel plated brass cable glands for SWA cable. Supplied complete with a nickel plated brass locknut.

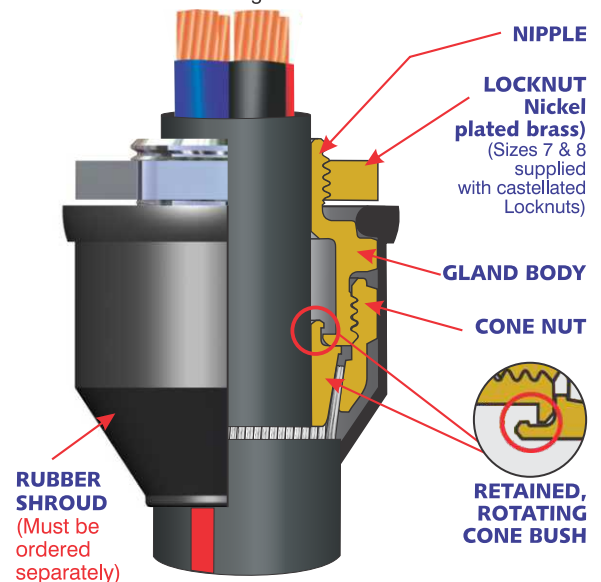


ZED® LOOSE CONE GLAND (FOR ARMoured CABLE)					
GLAND SIZE	THREAD	PRODUCT CODE	GLAND SIZE	THREAD	PRODUCT CODE
0	M20 x 1.5P	54001	5	M50 x 1.5P	54006
1	M20 x 1.5P	54002	6	M63 x 1.5P	54007
2	M25 x 1.5P	54003	7	M75 x 1.5P	54008
3	M32 x 1.5P	54004	8	M82 x 1.5P	54009
4	M40 x 1.5P	54005			

All measurements in the table above are in millimeters (mm) unless otherwise specified

## ZED® RETAINED CONE GLANDS (FOR ARMoured CABLE)

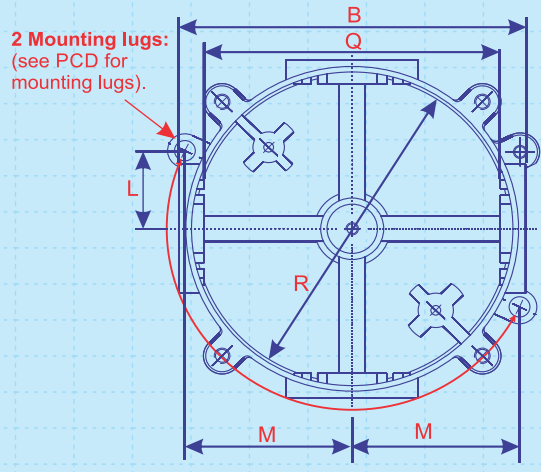
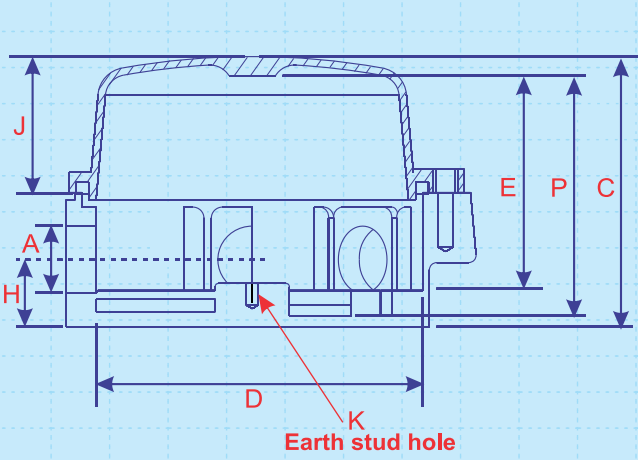
A general purpose utility range of nickel plated brass cable glands. Supplied complete with a nickel plated brass locknut. Includes a retained rotating cone bush.



ZED® RETAINED CONE GLAND (FOR ARMoured CABLE)					
GLAND SIZE	THREAD	PRODUCT CODE	GLAND SIZE	THREAD	PRODUCT CODE
0	M20 X 1.5P	54021	3	M32 X 1.5P	54024
1	M20 X 1.5P	54022	4	M40 X 1.5P	54025
2	M25 X 1.5P	54023	5	M50 X 1.5P	54026

All measurements in the table above are in millimeters (mm) unless otherwise specified

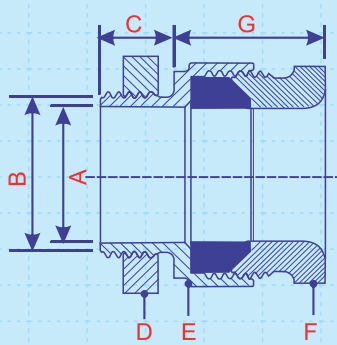
# DIMENSIONS & SPECIFICATIONS



## ZED® JUNCTION BOX DIMENSIONS - RIGHT ANGLE ENTRY BOX

Size	A Entry Thread	B Across Entries	C Overall Height	D Internal Diam.	E Internal Depth	H Lid Heigh	J Lid Heigh	PCD for Mounting Lugs	K Tapped Earth Stud Hole	L	M	P	Q	R
0	20 x 1.5P	100	78,5	87,8	59,6	20,5	37,5	108,8	M4 x 6,0	23,0	49,3	66,2	84	91,7
1	20 x 1.5P	110	83,4	98,0	66,1	21,6	40,0	117,7	M4 x 6,0	25,4	53,1	75,1	94	102,0
2	25 x 1.5P	134	98,2	122,5	80,1	26,3	44,8	145,0	M6 x 8,0	31,8	65,1	89,9	118	127,0

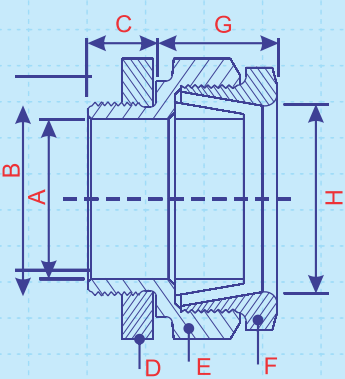
All measurements in the table above are in millimeters (mm) unless otherwise specified



## ZED® COMPRESSION CABLE GLANDS (FOR UNARMOURED CABLE)

Size N°	Nipple Bore dia. A	Nipple Thread B	Nipple length C	Locknut D		Body E		Compression Nut F		Overall Length C+G	Max Protruding G
				A/C	A/F	A/C	A/F	A/C	A/F		
0s	14,5	M20	9,0	30,1	27,0	24,6	22,0	22,2	20,0	29,0	20,0
0	14,5	M20	9,0	30,1	27,0	24,6	22,0	22,2	20,0	29,0	20,0
1	16,0	M20	9,5	30,2	27,0	30,6	27,0	27,9	25,0	31,0	21,5
2	20,7	M25	10,5	39,5	35,0	37,3	33,0	35,7	32,0	34,0	25,5
3	26,5	M32	11,0	46,4	41,0	46,4	41,0	42,2	31,6	37,0	26,0
4	35,0	M40	12,7	62,3	55,0	59,1	52,0	56,4	50,0	45,0	32,3
5	44,1	M50	16,0	75,1	65,0	70,2	63,0	67,2	60,0	53,0	37,0
6	56,0	M63	16,0	92,4	80,0	90,4	80,0	85,3	76,0	67,0	51,0
7	67,7	M75	20,0	108,4	95,2	103,0	95,0	100,0	90,0	75,0	55,0
8	74,0	M82	20,0	108,4	95,2	105,5	95,2	106,0	95,0	75,0	55,0

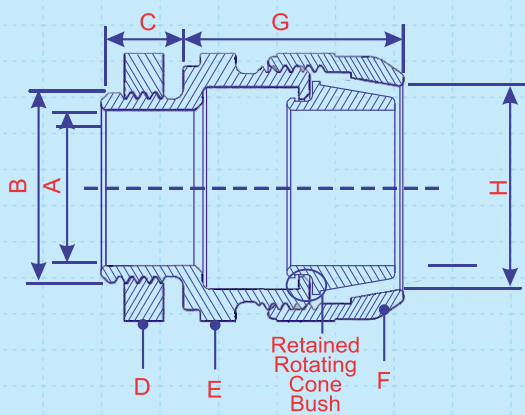
All measurements in the table above are in millimeters (mm) unless otherwise specified



## ZED® LOOSE CONE CABLE GLANDS (FOR ARMURED CABLE)

Size N°	Nipple Bore dia. A	Nipple Thread B	Nipple length C	Locknut D		Body E		Cone Nut F		Overall Length C+G	Max Protruding G	Throat dia. H
				A/C	A/F	A/C	A/F	A/C	A/F			
0	14,5	M20	9,0	30,1	27,0	24,6	22,0	22,5	20,0	24,6	16,0	14,7
1	16,0	M20	9,5	30,2	27,0	30,6	27,0	28,2	25,0	24,8	15,4	18,7
2	20,7	M25	10,5	39,5	35,0	37,3	33,0	36,2	32,0	27,7	17,3	24,3
3	26,5	M32	11,0	46,4	41,0	46,4	41,0	42,5	37,6	31,3	20,0	30,0
4	35,0	M40	12,7	62,3	55,0	59,1	52,0	56,8	50,0	34,6	23,9	39,5
5	44,1	M50	16,0	75,1	65,0	70,2	63,0	68,0	60,0	42,0	26,1	49,0
6	56,0	M63	16,0	92,4	80,0	90,4	80,0	88,0	79,0	52,3	36,3	62,2
7	67,7	M75	20,0	108,4	95,2	103,0	95,0	100,0	90,0	63,2	43,2	74,0
8	74,0	M82	20,0	108,4	95,2	105,5	95,2	105,5	95,2	62,1	41,9	81,0

All measurements in the table above are in millimeters (mm) unless otherwise specified



## ZED® RETAINED CONE CABLE GLANDS (FOR ARMURED CABLE)

Size N°	Nipple Bore dia. A	Nipple Thread B	Nipple length C	Locknut D		Body E		Cone Nut F		Overall Length C+G	Max Protruding G	Throat dia. H
				A/C	A/F	A/C	A/F	A/C	A/F			
0	13,0	M20	9,0	30,1	27,0	25,9	23,0	25,9	23,0	34,5	25,5	15,0
1	15,7	M20	9,0	30,2	27,0	29,1	26,0	30,2	27,0	36,0	27,0	19,3
2	20,6	M25	10,5	39,5	35,0	38,9	35,0	38,9	35,0	39,0	28,5	26,9
3	26,5	M32	11,0	46,4	41,0	45,1	40,0	47,0	42,0	43,5	32,5	32,9
4	34,7	M40	13,0	62,3	55,0	56,7	50,0	57,8	51,0	50,5	38,5	40,8
5	44,0	M50	16,0	75,1	65,0	73,2	65,0	73,8	65,5	56,0	40,0	51,8

All measurements in the table above are in millimeters (mm) unless otherwise specified

# ZED® RANGE

## ACCESSORIES

### ZED® BOX ACCESSORIES

#### ZED® JUCTION BOX LIDS (BLACK)

Complete with M5 stainless steel Posidrive Head Screw with washer.

ZED® BOX LIDS (BLACK)		
USUAL PACK QTY	SIZE	BLACK LID PRODUCT CODE
1	No. 0	54410
1	No. 1	54411
1	No. 2	54412



**NOTE:**  
Zed Replacement Lids (Must be ordered separately)

#### ZED® BLANKING PLUGS (BLACK)

ZED® BLANKING PLUGS		
THREAD SIZE	Product Code	USUAL PACK QTY
M20	ZEDBP20	10
M25	ZEDBP25	10



**NOTE:**  
Zed Blanking Plugs (Must be ordered separately)

### ZED® GLANDS ACCESSORIES

#### ZED® GLAND RUBBER SHROUDS

(Zed glands for armoured cable)

ZED® SHROUDS					
USUAL PACK QTY	SIZE	PRODUCT CODE	USUAL PACK QTY	SIZE	PRODUCT CODE
20	0	76010	10	5	76015
20	1	76011	10	6	76016
20	2	76012	10	7	76017
20	3	76013	10	8	76018
10	4	76014			

Must be ordered separately.



#### SEALING GASKETS

Tough plastic gaskets for perfect sealing.

ZED® GASKETS					
USUAL PACK QTY	SIZE	PRODUCT CODE	USUAL PACK QTY	SIZE	PRODUCT CODE
100	20 mm	ZEDNG20	100	50 mm	ZEDNG50
100	25 mm	ZEDNG25	100	63 mm	ZEDNG63
100	32 mm	ZEDNG32	100	75 mm	ZEDNG75
100	40 mm	ZEDNG40	100	82 mm	ZEDNG82

All measurements in the table above are in millimeters (mm) unless otherwise specified

#### EARTHING TAGS

Used for external earthing. They can also be used stacked, in combination, to increase the rated area.



EARTHING TAGS									
Gland Size	0	1	2	3	4	5	6	7	8
Product Code	33020	33020	33021	33022	33023	33024	33025	33026	33027
Ø A (mm)	20	20	25	32	40	50	63	75	83
Ø B (mm)	6.3	6.3	6.3	6.3	6.3	8.3	8.3	10.5	12.5
Rated Area (mm <sup>2</sup> )	18.70	18.70	18.70	18.70	19.50	22.50	27.00	60.00	80.00
Usual Pack Qty.	10	10	10	10	10	10	10	10	10

Must be ordered separately.

#### NICKEL-PLATED BRASS LOCKNUTS

- Sizes 0-8 supplied standard with nickel-plated brass locknuts.
- For ease of fitting, larger sizes (7-8) are castellated.

NICKEL-PLATED BRASS LOCKNUTS										
Size	00	0	1	2	3	4	5	6	7	8
Nipple Thread	16mm	20mm	20mm	25mm	32mm	40mm	50mm	63mm	75mm	82mm
Product Code	02879	02880	02880	02882	02883	02884	02885	02886	02118	02119



Nickel-plated brass



Castellated Locknut Sizes 7-8

**CONTACT PRATLEY FOR YOUR NEAREST WHOLESALE!**

Pratley (Pty) Limited (Reg. No. 1996/003890/07)  
Jackson Street • Ffactoria • Krugersdorp • Gauteng  
PO Box 3055, Kenmare 1745 • Gauteng • South Africa  
Telephone +27 11 955 2190/8 • Fax +27 11 955 3918  
e-mail: sales@pratley.co.za



/company/pratleysa /PratleySA

@PratleySA

/PratleySA

www.pratleyelectrical.com

